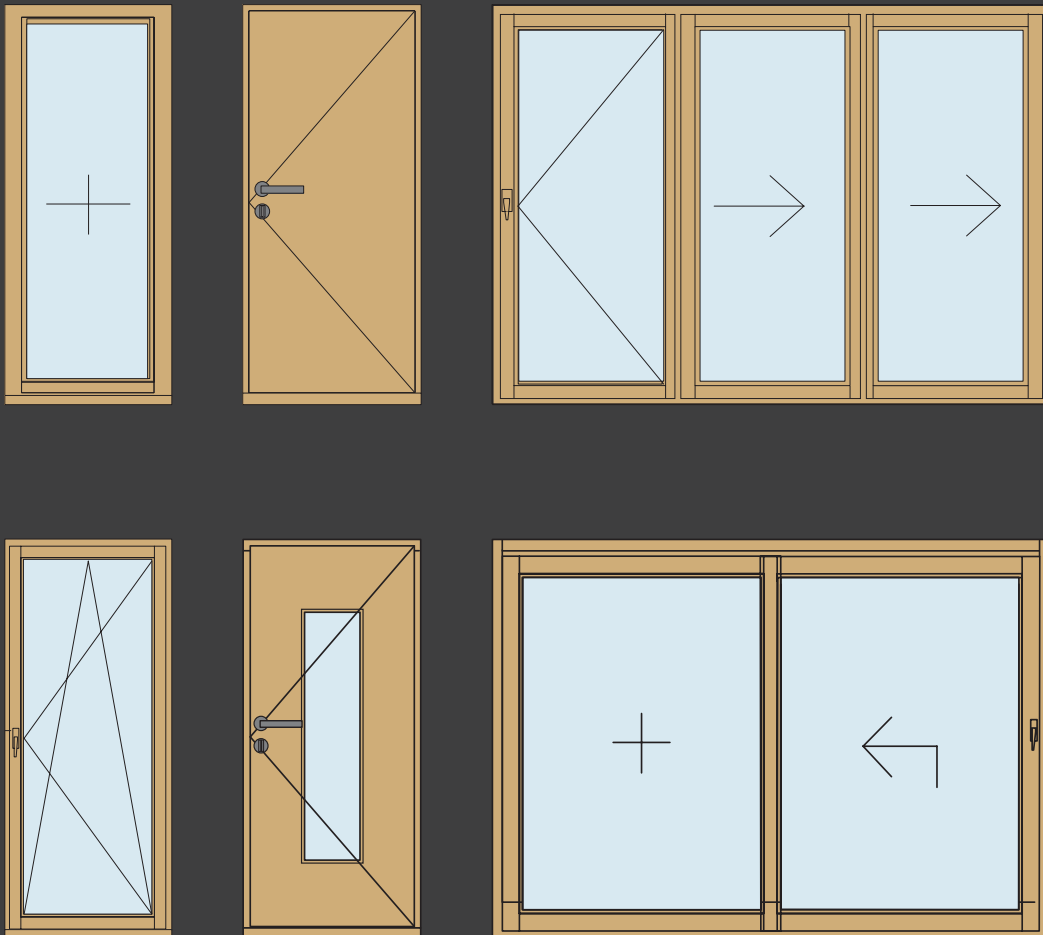


STANDARD PRODUCT TYPES

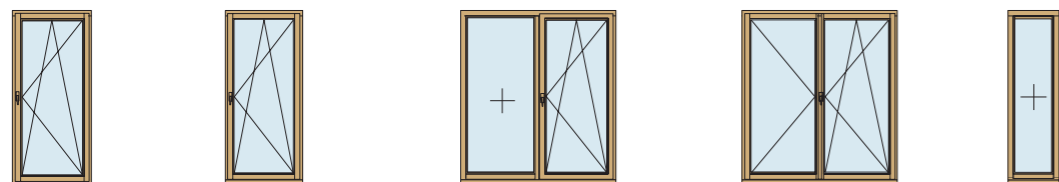


Type overview

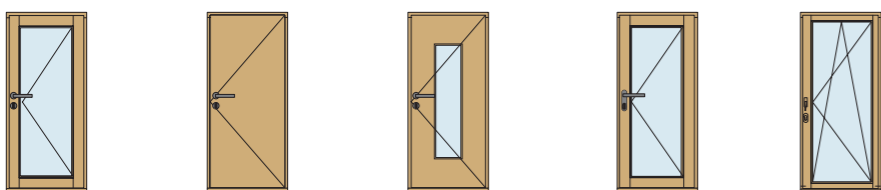
All drawings are showing the inside views



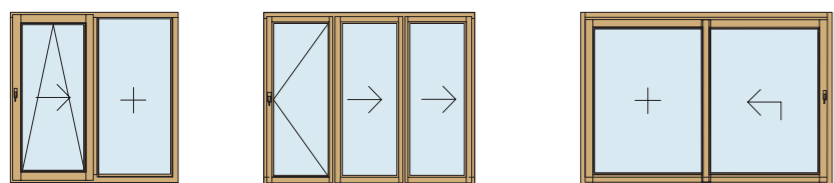
| | | | | | |
|---------------------------------|---|--|------------------------|--|--|
| 1.001 | 1.002 | 1.004 | 1.021 | 1.054 | 1.056 |
| WINDOW single opening window | WINDOW single opening window with fixed side light | WINDOW double french opening window | WINDOW fixed window | CORNER WINDOW two fixed windows connected with a 90° post | CORNER WINDOW two fixed windows connected with a 90° glass corner |



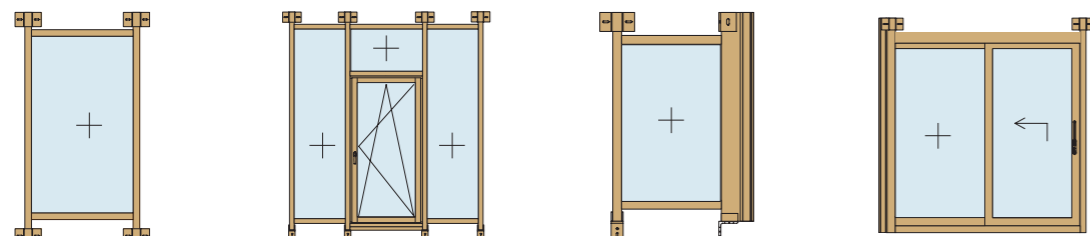
| | | | | |
|-------------------------------------|--|--|---|--|
| 1.001 | 1.101 | 1.102 | 1.104 | 1.121 |
| PATIO DOOR single opening window | PATIO DOOR single opening swinging door, flat threshold | PATIO DOOR single opening swinging door with fixed side light, flat threshold | PATIO DOOR double french opening swinging door, flat threshold | PATIO DOOR fixed field for patio door, simulates a flat threshold |



| | | | | |
|--|--|--|--|--|
| 2.001 | 2.201 | 2.300 | 3.001 | 5.001 |
| DOOR fully glazed main entrance swinging door | DOOR main entrance swinging door, full slab | DOOR main entrance swinging door, slab with glazing | DOOR fully glazed side entrance swinging door | DOOR single opening swinging patio door with exterior key cylinder with window handle |



| | | |
|--|--------------------------------------|-------------------------------------|
| 6.001 | 7.003 | 8.001 |
| SLIDING DOOR Parallel slide & tilt door | SLIDING DOOR Folding sliding door | SLIDING DOOR Lift & sliding door |



| | | | |
|--------------|--|----------------------------------|-------------------------------|
| 9.021 | 9.002 | 9.054 | 9.801 |
| FACADE | FACADE single opening swinging door | FACADE corner with a 90° post | FACADE Lift & sliding door |

Product type group 9.000:
Only available in insulated aluminium profiles

Request example:

Begin with numbering the openings.

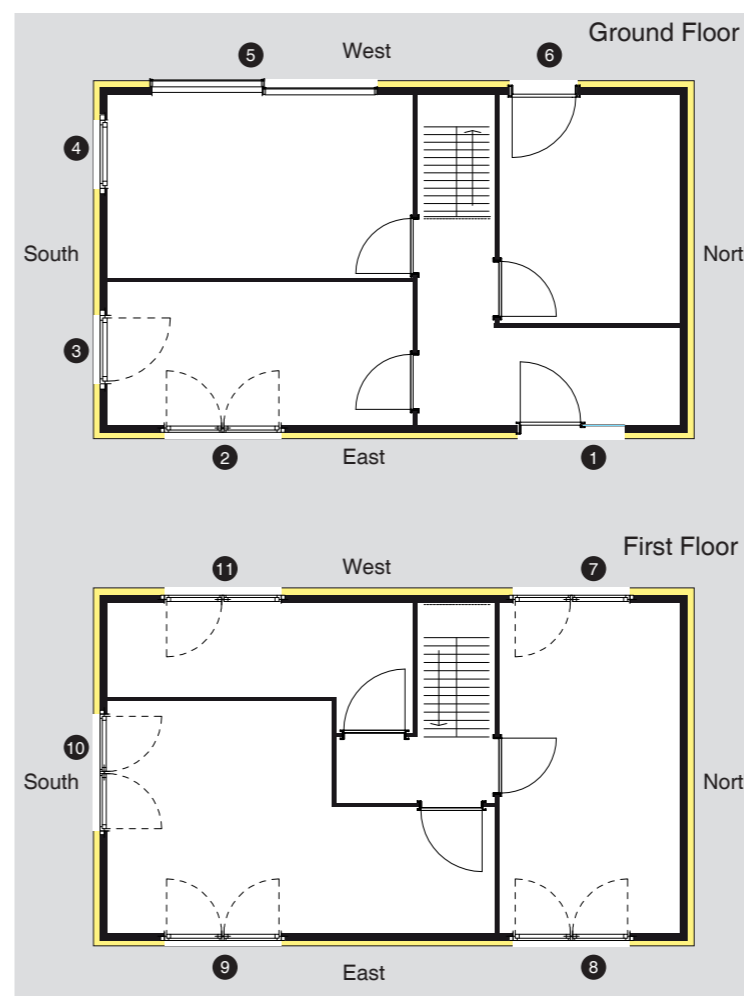
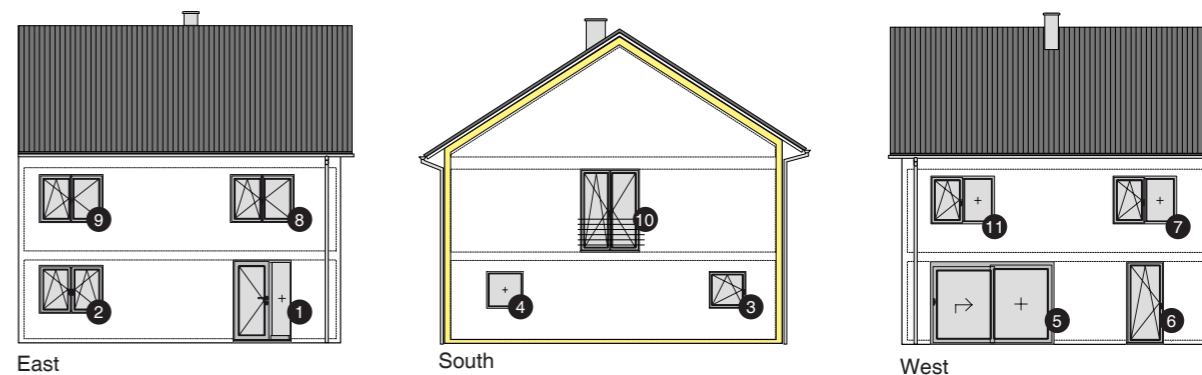
Start at your main entrance door and give the position numbers in a clockwise direction. Next floor (first, second, third floor) start numbering from first window on the right side of staircase.

Choose window type and record the product type number in your window list (specification).

Give the quantity and the required dimension.

Share with us your special requirements for glass, hardware and handles.

We are looking forward to hear from you.



Request list:

| | Window position | Product type | Pcs | Measurements (width x height) mm | Other requirements |
|--------------|-----------------|--------------|-----|----------------------------------|---|
| Ground Floor | Pos. 1 | 2.001 | 1 | 1600 x 2100 | safety laminated glass handelbar 1800 mm |
| | Pos. 2 | 1.004 | 1 | 2000 x 1200 | WK2 hardware, lockable handel |
| | Pos. 3 | 1.001 | 1 | 1000 x 1200 | WK2 hardware, lockable handel, |
| | Pos. 4 | 1.021 | 1 | 2000 x 1200 | WK2 hardware |
| | Pos. 5 | 8.001 | 1 | 4000 x 2100 | WK2 hardware lockable handel |
| First Floor | Pos. 6 | 1.101 | 1 | 2000 x 1200 | WK2 hardware lockable handel |
| | Pos. 7 | 1.002 | 1 | 2000 x 1200 | |
| | Pos. 8/9 | 1.004 | 2 | 2000 x 1200 | |
| | Pos. 10 | 1.004 | 1 | 1600 x 1200 | |
| | Pos. 11 | 1.002 | 1 | 2000 x 1200 | Ornamental glass |

Standard: opening inwards

Type Overview

1.000 WINDOWS

Handle inside

All drawings are showing the inside views

| | | | | | | |
|---|--|---|--|--|---|--|
| | | | | | | |
| 1.001 WINDOW single opening window | 1.002 WINDOW single opening window with fixed side light | 1.004 WINDOW double french opening window | 1.005 WINDOW double opening window with post | 1.006 WINDOW single opening window with two fixed side lights | 1.007 WINDOW triple opening window with post | |
| | | | | | | |
| 1.008 WINDOW single opening window with fixed light above | 1.009 WINDOW single opening window with fixed light below | 1.010 WINDOW single opening window with tilt window above | 1.011 WINDOW double french opening window with fixed light above | 1.012 WINDOW double french opening window with fixed light below | 1.013 WINDOW double french opening window with tilt window above | 1.014 WINDOW double french opening window with double french opening window above |
| | | | | | | |
| 1.015 WINDOW double opening window with post with fixed light above | 1.016 WINDOW double opening window with post with fixed light below | 1.017 WINDOW double opening window with post with tilt window above | 1.018 WINDOW double opening window with post with double opening window with post above | 1.019 WINDOW triple opening window with post with tilt window above | 1.020 WINDOW triple opening window with post with triple tilt window above | 1.021 WINDOW fixed window |
| | | | | | | |
| 1.022 WINDOW fixed arch top window | 1.023 WINDOW fixed segment arch top window | 1.024 WINDOW arch top opening window | 1.025 WINDOW segment arch top opening window | 1.026 WINDOW arched double french opening window | 1.027 WINDOW segmented arch double french opening window | 1.041 WINDOW tilt window |
| | | | | | | |
| | | | | | | 1.042 WINDOW tilt window with fixed field |
| | | | | | | 1.044 WINDOW double tilt window |
| | | | | | | |
| 1.050 CORNER WINDOW two single opening windows connected with a 90° post | 1.051 CORNER WINDOW two single opening windows connected with a 135° post | 1.052 CORNER WINDOW a single opening window and a fixed window connected with a 90° post | 1.053 CORNER WINDOW a single opening window and a fixed window connected with a 135° post | 1.054 CORNER WINDOW two fixed windows connected with a 90° post | 1.055 CORNER WINDOW two fixed windows connected with a 135° post | 1.056 CORNER WINDOW two fixed windows connected with a 90° glass corner |

Standard: opening inwards – Option: opening outwards available with surcharge

Type Overview

1.100 PATIO DOORS with flat threshold

Handle inside - grip outside

All drawings are showing the inside views

| | | | | | | |
|--|---|--|---|---|--|--|
| | | | | | | |
| 1.101 PATIO DOOR single opening swinging door | 1.102 PATIO DOOR single opening swinging door with fixed side light | 1.104 PATIO DOOR double french opening swinging door | 1.105 PATIO DOOR double opening swinging door with post | 1.106 PATIO DOOR single opening swinging door with two fixed side lights | 1.107 PATIO DOOR triple opening swinging door with post | |
| | | | | | | |
| 1.108 PATIO DOOR single opening swinging door with fixed light above | 1.110 PATIO DOOR single opening swinging door with tilt window above | 1.111 PATIO DOOR double french opening swinging door with fixed light above | 1.113 PATIO DOOR double french opening swinging door with tilt window above | 1.114 PATIO DOOR double french opening swinging door with double french opening window above | 1.115 PATIO DOOR double opening swinging door with post, with fixed light above | |
| | | | | | | |
| 1.117 PATIO DOOR double opening swinging door with post, with tilt window above | 1.118 PATIO DOOR double opening swinging door with post, with double opening tilt window with post above | 1.119 PATIO DOOR triple opening swinging door with post, with tilt window above | 1.120 PATIO DOOR triple opening swinging door with post, with triple opening tilt window above | | | |
| | | | | | | |
| 1.121 PATIO DOOR fixed field for patio door | 1.122 PATIO DOOR fixed arch top patio door | 1.123 PATIO DOOR fixed segment arch top patio door | 1.124 PATIO DOOR arch top opening swinging door | 1.125 PATIO DOOR segment arch top opening swinging door | 1.126 PATIO DOOR arched double french opening swinging door | 1.127 PATIO DOOR segmented arch double french opening swinging door |

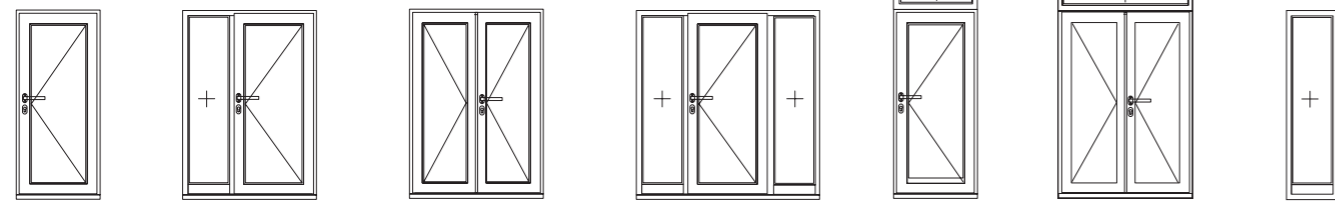
Standard: opening inwards – Option: opening outwards available with surcharge
Our systems with flat threshold are wheelchair accessible.

Type Overview

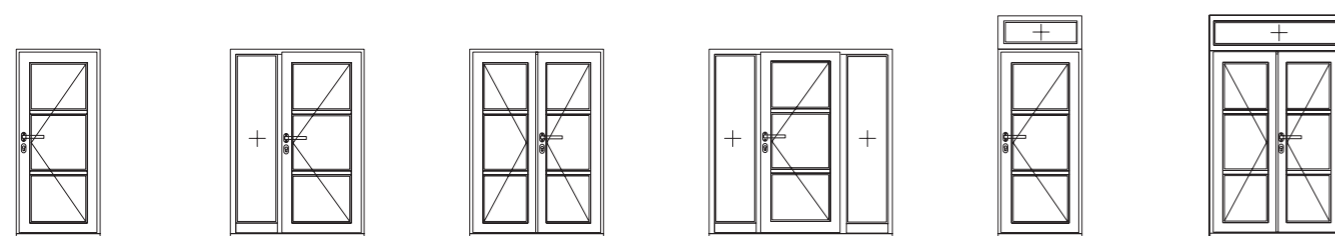
2.000 DOORS with flat threshold

Handle inside and outside - Key cylinder on both sides
Multipoint locking system

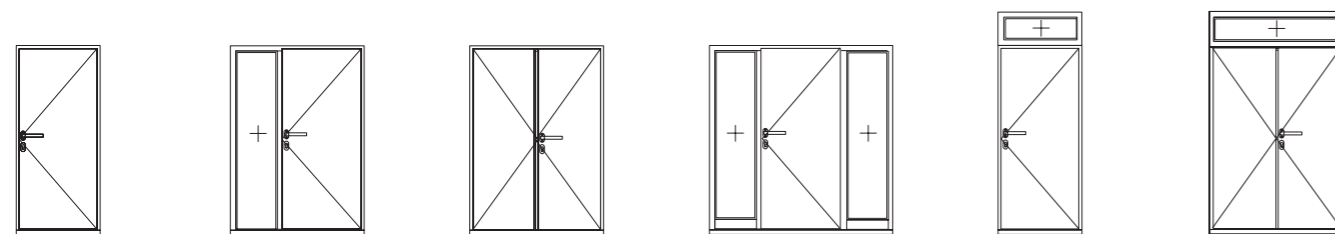
All drawings are showing the inside views



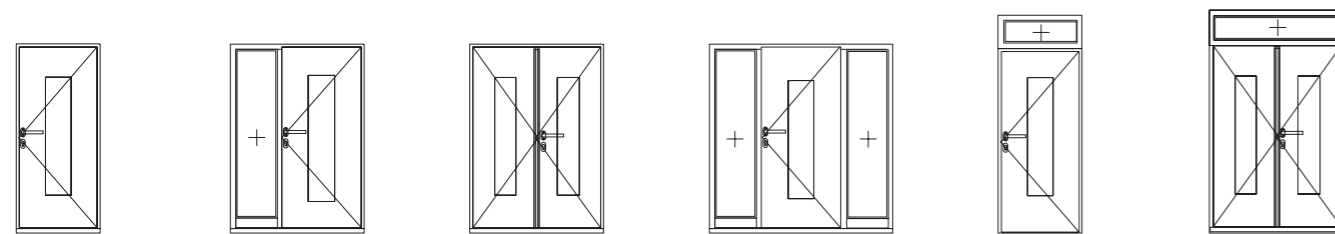
| | | | | | | |
|--|--|--|---|---|---|--|
| 2.001 | 2.002 | 2.004 | 2.006 | 2.008 | 2.011 | 2.021 |
| DOOR | DOOR | DOOR | DOOR | DOOR | DOOR | DOOR |
| fully glazed main entrance swinging door | fully glazed main entrance swinging door with fixed side light | double french opening fully glazed main entrance swinging door | fully glazed main entrance swinging door with two fixed side lights | fully glazed main entrance swinging door with fixed light above | double french opening fully glazed main entrance swinging door with fixed light above | fixed field for main entrance door or side entrance door |



| | | | | | |
|------------------------------------|--|--|---|---|---|
| 2.101 | 2.102 | 2.104 | 2.106 | 2.108 | 2.111 |
| DOOR | DOOR | DOOR | DOOR | DOOR | DOOR |
| muntin main entrance swinging door | muntin main entrance swinging door with fixed side light | double french opening muntin main entrance swinging door | muntin main entrance swinging door with two fixed side lights | muntin main entrance swinging door with fixed light above | double french opening muntin main entrance swinging door with fixed light above |



| | | | | | |
|---------------------------------------|---|---|--|--|---|
| 2.201 | 2.202 | 2.204 | 2.206 | 2.208 | 2.211 |
| DOOR | DOOR | DOOR | DOOR | DOOR | DOOR |
| main entrance swinging door full slab | main entrance swinging door full slab combined with fixed glazing | double french opening main entrance swinging door full slab | main entrance swinging door, full slab combined with two fixed side lights | main entrance swinging door full slab with fixed light above | double french opening main entrance swinging door, full slab with fixed light above |



| | | | | | |
|---|---|--|---|--|--|
| 2.301 | 2.302 | 2.304 | 2.306 | 2.308 | 2.311 |
| DOOR | DOOR | DOOR | DOOR | DOOR | DOOR |
| main entrance swinging door slab with glazing | main entrance swinging door slab with glazing combined with fixed glazing | double french opening main entrance swinging door full slab with glazing | main entrance swinging door, full slab with glazing combined with two fixed side lights | main entrance swinging door, full slab with glazing with fixed light above | double french opening main entrance swinging door, full slab with glazing with fixed light above |

Standard: opening inwards – Option: opening outwards available with surcharge
Our systems with flat threshold are wheelchair accessible.

Type Overview

5.000 LOCKABLE PATIO DOORS with flat threshold

Key cylinder on both sides

All drawings are showing the inside views



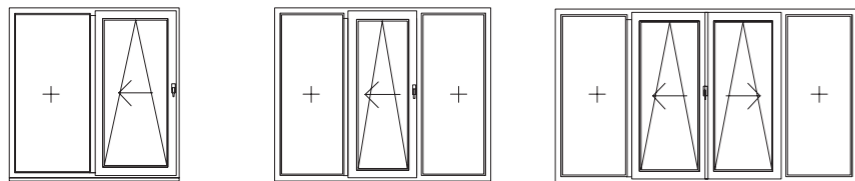
| | | | |
|--|---|---|--|
| 5.001 | 5.004 | 5.051 | 5.054 |
| PATIO DOOR | PATIO DOOR | PATIO DOOR | PATIO DOOR |
| single opening swinging patio door with exterior key cylinder window handle inside and outside | double french opening swinging patio door with exterior key cylinder window handle inside and outside | single opening swinging patio door with lever handle set for framed doors Handle inside and outside | double french opening swinging patio door with lever handle set for framed doors Handle inside and outside |

Standard: opening inwards – Option: opening outwards available with surcharge
Our systems with flat threshold are wheelchair accessible.

Type Overview 6.000 PARALLEL SLIDE & TILT WINDOWS

Handle inside

All drawings are showing the inside views

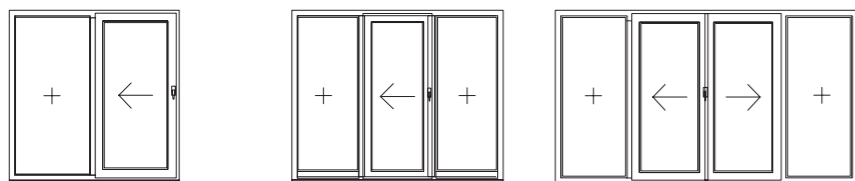


| | | |
|---|---|--|
| <p>6.001.1 </p> <p>SLIDE & TILT DOOR slide & tilt door right opening to the left, fixed field left</p> | <p>6.004.1 </p> <p>SLIDE & TILT DOOR slide & tilt door opening to the left, two fixed fields</p> | <p>6.009</p> <p>SLIDE & TILT DOOR double french opening slide & tilt door, two fixed fields, first opening part has to be defined</p> |
|---|---|--|

| | | |
|--|--|--|
| <p>6.001.2 </p> <p>SLIDE & TILT DOOR slide & tilt door left opening to the right, fixed field right</p> | <p>6.004.2 </p> <p>SLIDE & TILT DOOR slide & tilt door opening to the right, two fixed fields</p> | |
|--|--|--|

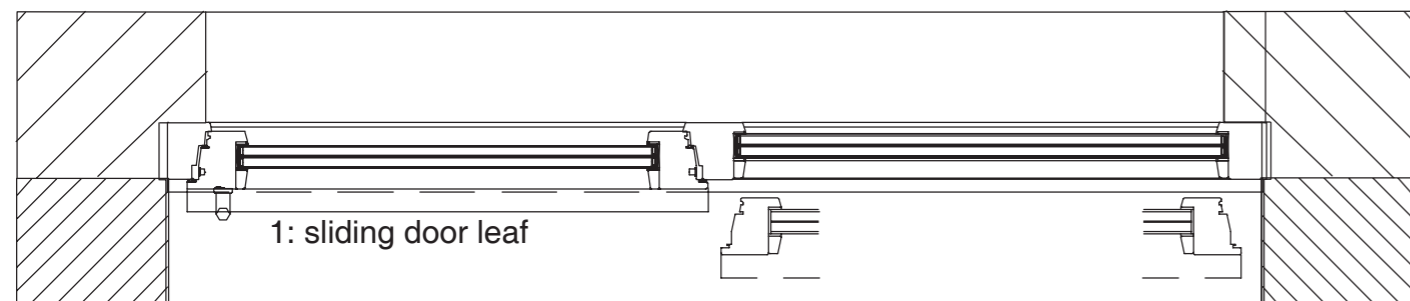
Type Overview 6.200 PARALLEL SLIDING WINDOWS

Handle on the inside



| | | |
|---|---|--|
| <p>6.201.1 </p> <p>SLIDING DOOR sliding door right opening to the left, fixed field left</p> | <p>6.204.1 </p> <p>SLIDING DOOR sliding door opening to the left, two fixed fields</p> | <p>6.209</p> <p>SLIDING DOOR double french opening parallel sliding door, two fixed fields first opening part has to be defined</p> |
|---|---|--|

| | | |
|--|--|--|
| <p>6.201.2 </p> <p>SLIDING DOOR sliding door left opening to the right, fixed field right</p> | <p>6.204.2 </p> <p>SLIDING DOOR sliding door opening to the right, two fixed fields</p> | |
|--|--|--|



Standard: opening inwards - 1: sliding door leaf runs inside

Type Overview 8.000 LIFT & SLIDING DOORS with flat threshold

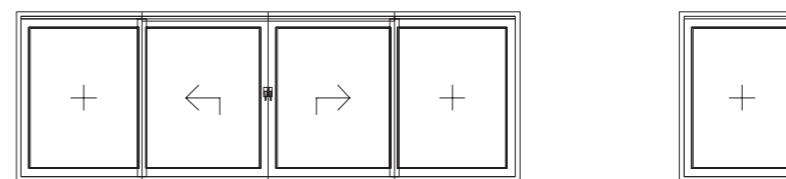
Handle inside - grip outside

All drawings are showing the inside views

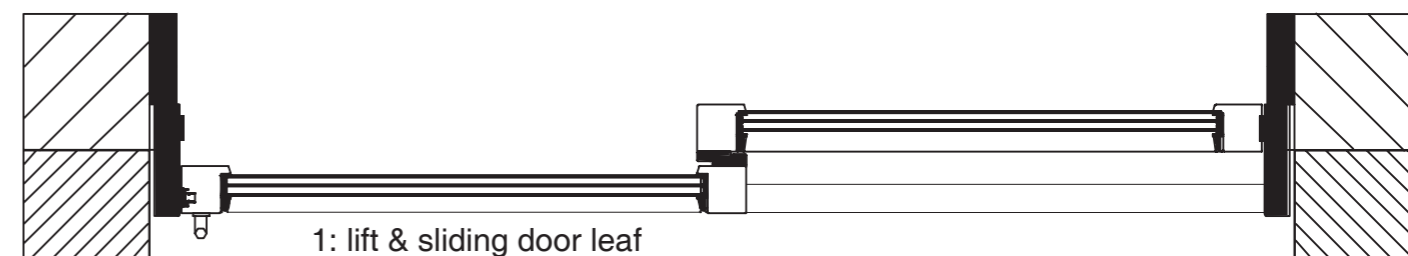


| | |
|---|---|
| <p>8.001.1 </p> <p>LIFT & SLIDING DOOR lift & slide door right opening to the left, fixed field left</p> | <p>8.004.1 </p> <p>LIFT & SLIDING DOOR lift & slide door opening to the left, two fixed fields</p> |
|---|---|

| | |
|--|--|
| <p>8.001.2 </p> <p>LIFT & SLIDING DOOR lift & slide door left opening to the right, fixed field right</p> | <p>8.004.2 </p> <p>LIFT & SLIDING DOOR lift & slide door opening to the right, two fixed fields</p> |
|--|--|



| | |
|---|--|
| <p>8.009</p> <p>LIFT & SLIDING DOOR double french opening lift & slide door, two fixed fields, without post two handles, both openings can be operated independently</p> | <p>8.021</p> <p>LIFT & SLIDING DOOR fixed field</p> |
|---|--|



Standard: opening inwards - 1: lift & sliding door leaf runs inside
Our systems with flat threshold are wheelchair accessible.

Measurement schedule for Windows & Doors

Date: _____


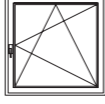
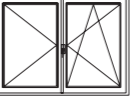
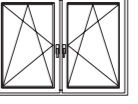

| Customer: | | | | | | | |
|---------------------------|------------|-------|------|-----|--------------|-----------------------------------|-------|
| Comission (Project name): | | | | | | | |
| Windows & Doors | | | | | | | |
| Quote Pos | Client Pos | Floor | Room | Pcs | Product type | width x height (mm) / Raw opening | notes |
| | | | | | | | |
| | | | | | | | |
| | | | | | | | |
| | | | | | | | |
| | | | | | | | |
| | | | | | | | |
| | | | | | | | |
| | | | | | | | |
| | | | | | | | |
| | | | | | | | |
| | | | | | | | |
| | | | | | | | |
| | | | | | | | |
| | | | | | | | |
| | | | | | | | |
| | | | | | | | |
| | | | | | | | |
| | | | | | | | |
| | | | | | | | |
| | | | | | | | |
| | | | | | | | |
| | | | | | | | |
| | | | | | | | |
| | | | | | | | |
| | | | | | | | |
| | | | | | | | |
| | | | | | | | |
| | | | | | | | |


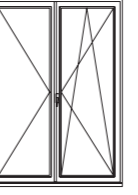
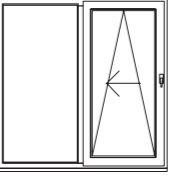
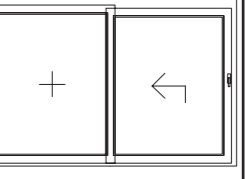
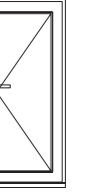
Type Overview

SIZES - Minimum & Maximum Measurements

All drawings are showing the inside views

SYSTEM: WOOD & WOOD ALUMINIUM

| |  |  |  |  |  |
|--------------|---|---|---|---|---|
| TYPE | 1.021 | 1.001 | 1.004 | 1.005 | 1.010 |
| TYPE | FIXED WINDOW | WINDOW | WINDOW double french opening window | WINDOW double opening window with post | WINDOW single opening window with tilt window above |
| Width - Min | 350 | 530 | 950 | 1020 | 530 |
| Width - Max | 2100 | 1400 | 2200 | 2700 | 1400 |
| Height - Min | 400 | 625 | 625 | 625 | 1400 |
| Height - Max | 2510 | 1950 | 2010 | 1950 | 2260 |

| |  |  |  |  |  |
|--------------|--|--|--|--|--|
| TYPE | 1.101 & 5.000 | 1.104 | 6.000 | 8.000 | 2.000 |
| TYPE | PATIO DOOR single opening swinging & lockable patio door | PATIO DOOR double french opening swinging door | SLIDE & TILT DOOR | LIFT & SLIDING DOOR | MAIN ENTRANCE DOOR |
| Width - Min | 530 | 950 | 1630 | 1750 | 700 |
| Width - Max | 1100 | 1900 | 3600 | 4500 | 1250 |
| Height - Min | 1950 | 1950 | 1070 | 1000 | 1800 |
| Height - Max | 2510 | 2510 | 2385 | 2385 | 2500 |

Maximum transportable measurements of elements:
max width 2300 mm - height adjustable or width adjustable - max height 2300mm
Measurements over max sizes has to be divided.

We reserve the right for technical changes. Technical examination of the individual elements reserved.
The sizes regulations are depending on the type of combination of the product types.

Special types and sizes available upon request. In case of very large sizes only turn wings possible.

All customer demands for sizes and function will be checked and confirmed technical.



Ludwig International GmbH

Fenestration Products & Building Envelope Solutions
Eintrachtstraße 14 -16
50668 Cologne · Germany

Phone: +49 (0)221 / 999 831 50

Fax: +49 (0)221 / 999 831 59

sales@energate.com

WWW.ENERGATE.COM

Window & door cutting sections are not to scale and for illustration purposes only.

We reserve the right to make technical changes.