

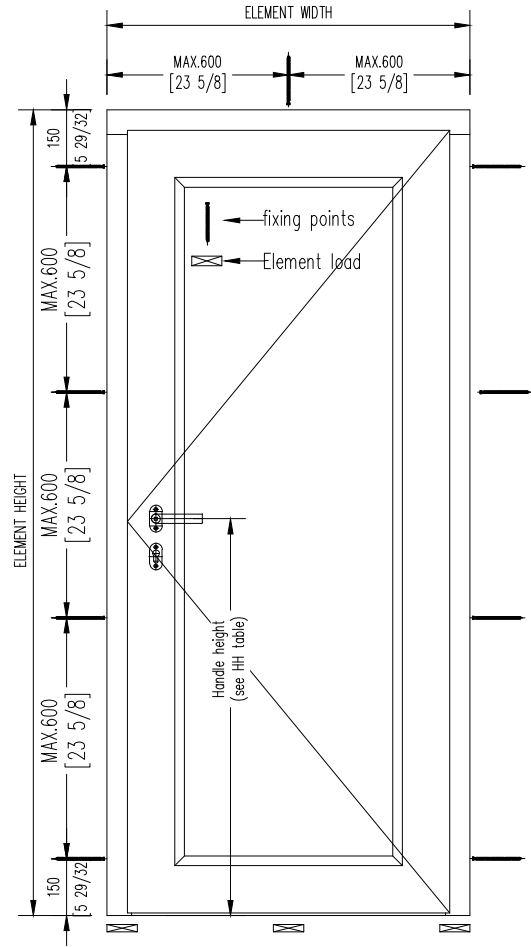
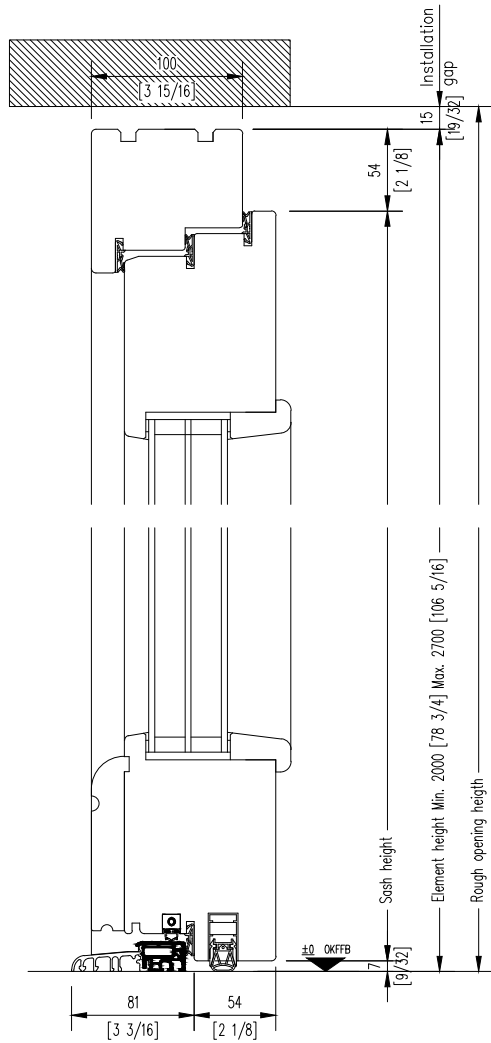
# 2.001

DOORS with flat threshold  
fully glazed main entrance swinging door

EN 1003 Wood Door

# ENERGATE

WWW.ENERGATE.COM



System:	ENERGATE 1003
ENERGATE product type:	2.001
Security level:	Basic
Standard handle:	
Sash weight (max. kg):	140 kg
Minimum & maximum measurements:	Information at the drawing.
Attention: Minimum and maximum dimensions can not be combined	

