

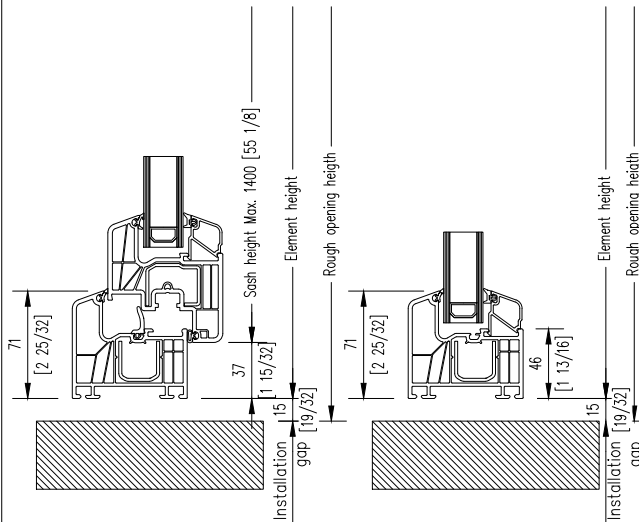
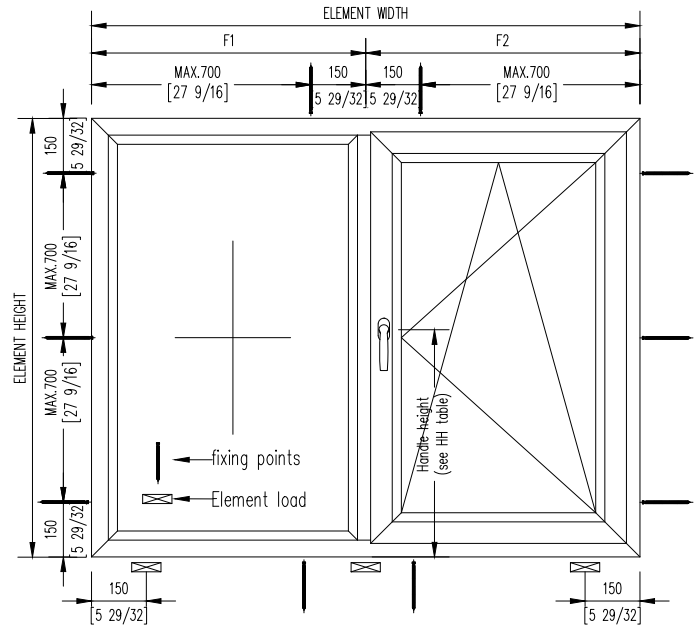
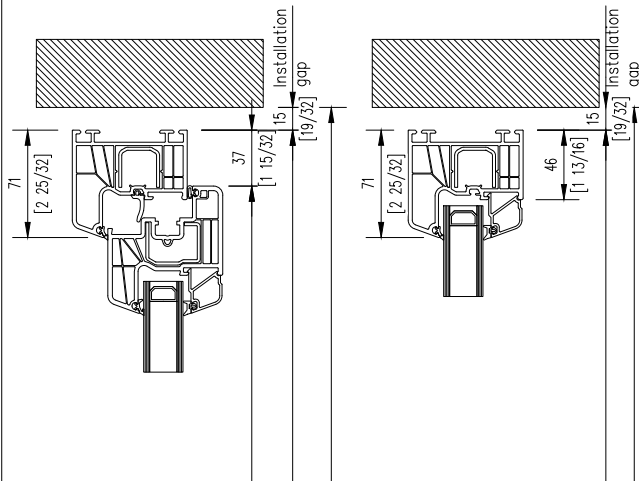
1.002 WINDOWS

single opening window with fixed side light

EN763 PVC

ENERGATE

WWW.ENERGATE.COM



| System: | ENERGATE 763 |
|---|-----------------------------|
| ENERGATE product type: | 1.002 |
| Security level: | Basic |
| Standard handle: | Atlanta |
| Shaft length 7x7x35mm (17/64" x 17/64" x 1 3/8") | |
| Screws M5 x 50mm (M5 x 1 31/32") | |
| Sash weight (max. kg) | 100 kg |
| Minimum & maximum measurements: | Information at the drawing. |
| Attention: Minimum and maximum dimensions can not be combined | |
| For exact information see ENERGATE size application diagram (separate page) | |
| Maximal sizes always depend on weight are of the chosen glass. | |
| The glass weight is always noted on the product data sheet. | |

