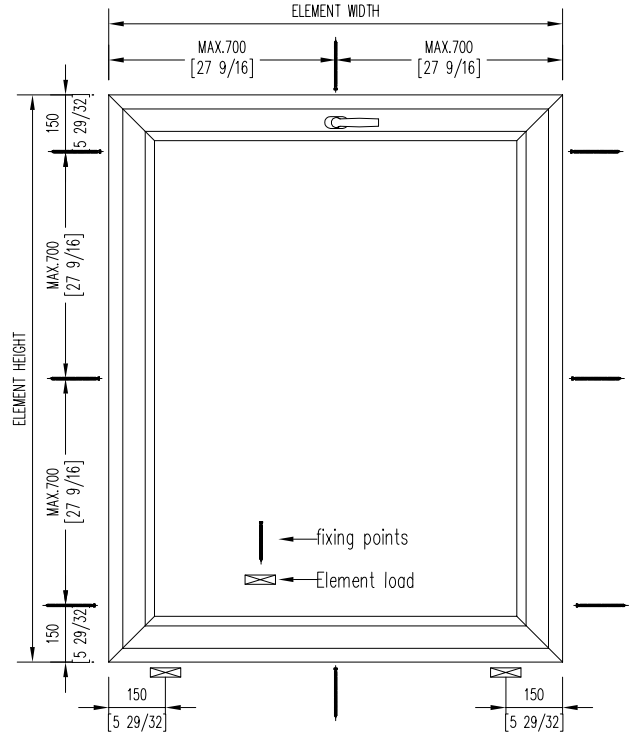
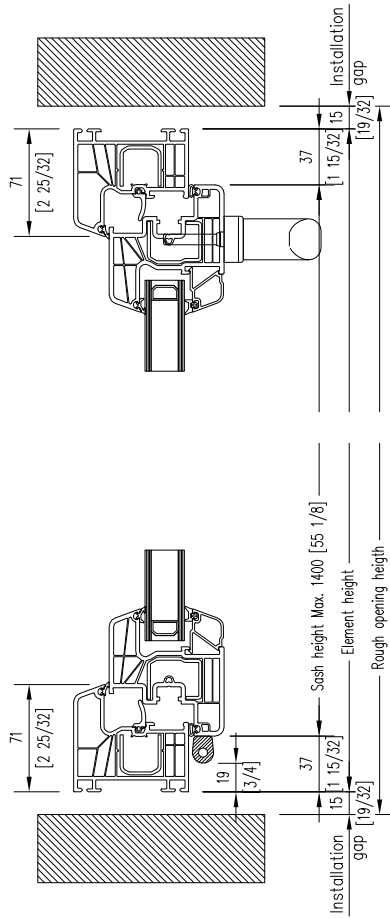


1.041
WINDOWS
tilt window

EN763 PVC



System:	ENERGATE 763
ENERGATE product type:	1.041
Security level:	Basic
Standard handle:	Atlanta
Shaft length 7x7x35mm (17/64" x 17/64" x 1 3/8")	
Screws M5 x 50mm (M5 x 1 31/32")	
Sash weight (max. kg)	100 kg
Minimum & maximum measurements:	Information at the drawing.
Attention: Minimum and maximum dimensions can not be combined	
For exact information see ENERGATE size application diagram (separate page)	
Maximal sizes always deponed on weight are of the choosen glass.	
The glass weight is always noted on the product data sheet.	

