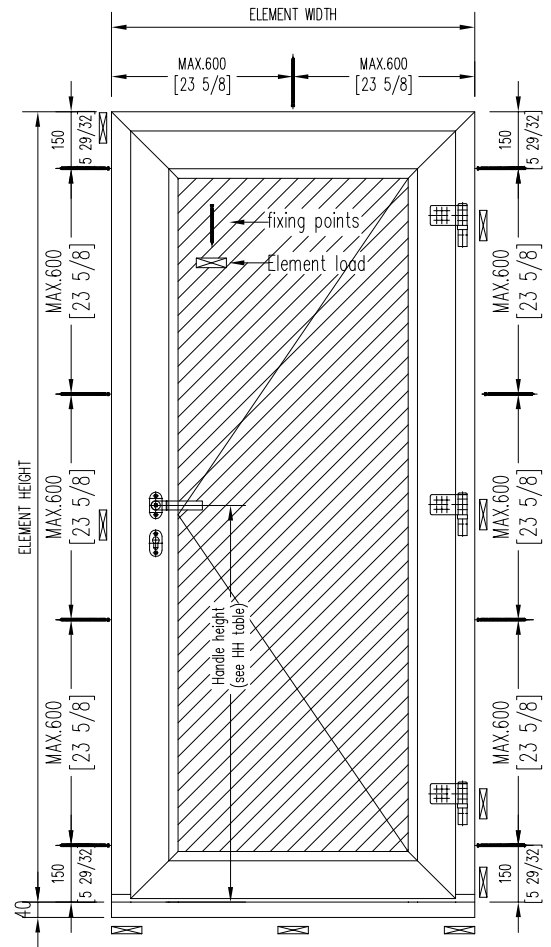
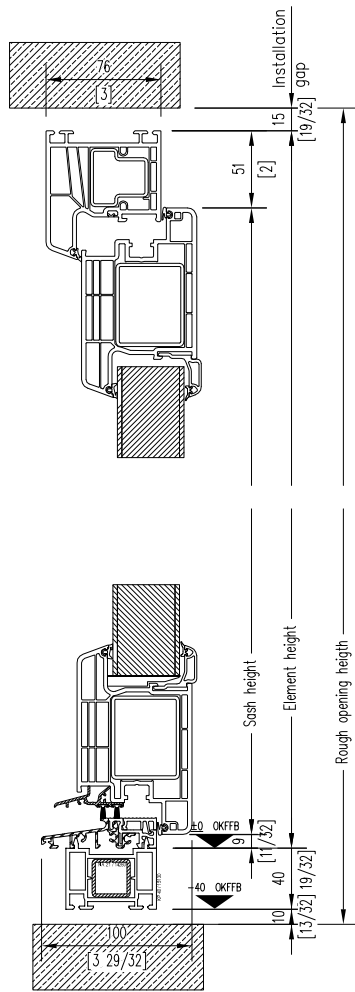


2.001  
DOORS  
fully panelled main entrance swinging door

EN763 PVC



| System:  | ENERGATE 763                |
|--|-----------------------------|
| ENERGATE product type:   | 2.001                       |
| Security level:  | Basic                       |
| Standard handle:   |                             |
| Sash weight (max. kg)  | 140 kg                      |
| Minimum & maximum measurements:  | Information at the drawing. |
| <p>Attention: Minimum and maximum dimensions can not be combined for exact information see ENERGATE size application diagram (separate page).<br/>Maximal sizes always deponed on weight are of the choosen glass.<br/>The glass weight is always noted on the product data sheet.</p> |                             |

