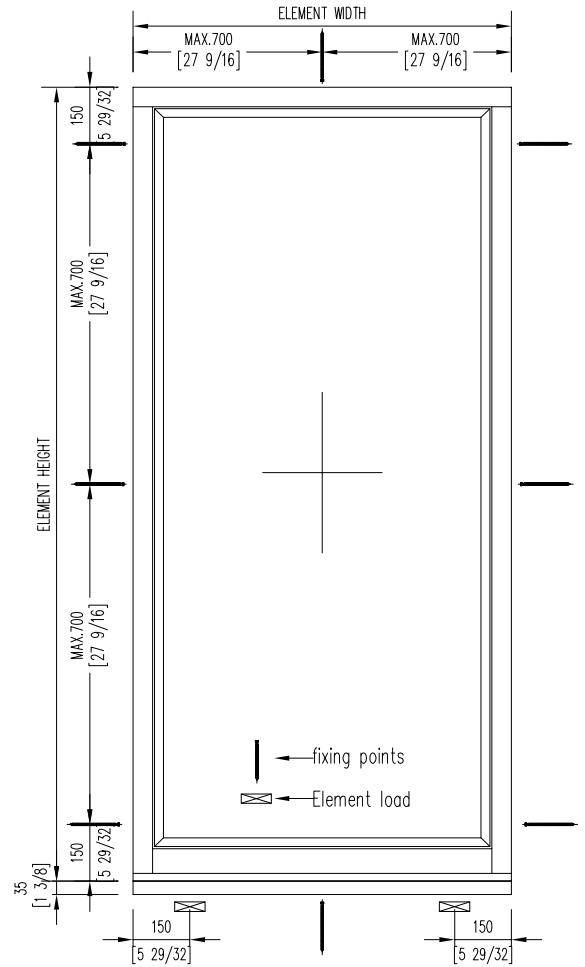
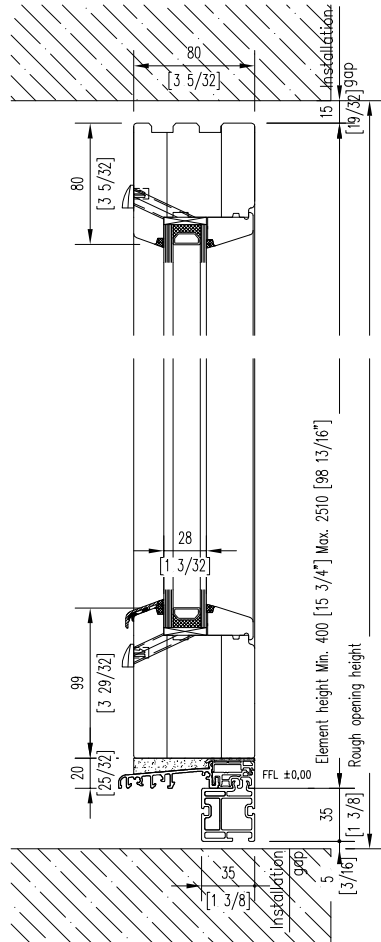


# 1.121

PATIO DOORS with flat threshold  
fixed field for patio door

EN802 Wood



<b>System:</b>	<b>ENERGATE 802[+]</b>
ENERGATE product type:	1.121
Security level:	Basic
Minimum & maximum measurements:	Information at the drawing.
<p>Attention: Minimum and maximum dimensions can not be combined          For exact information see ENERGATE size application diagram (separate page)          Maximal sizes always deponed on weight are of the choosen glass.          The glass weight is always noted on the product data sheet.</p>	

