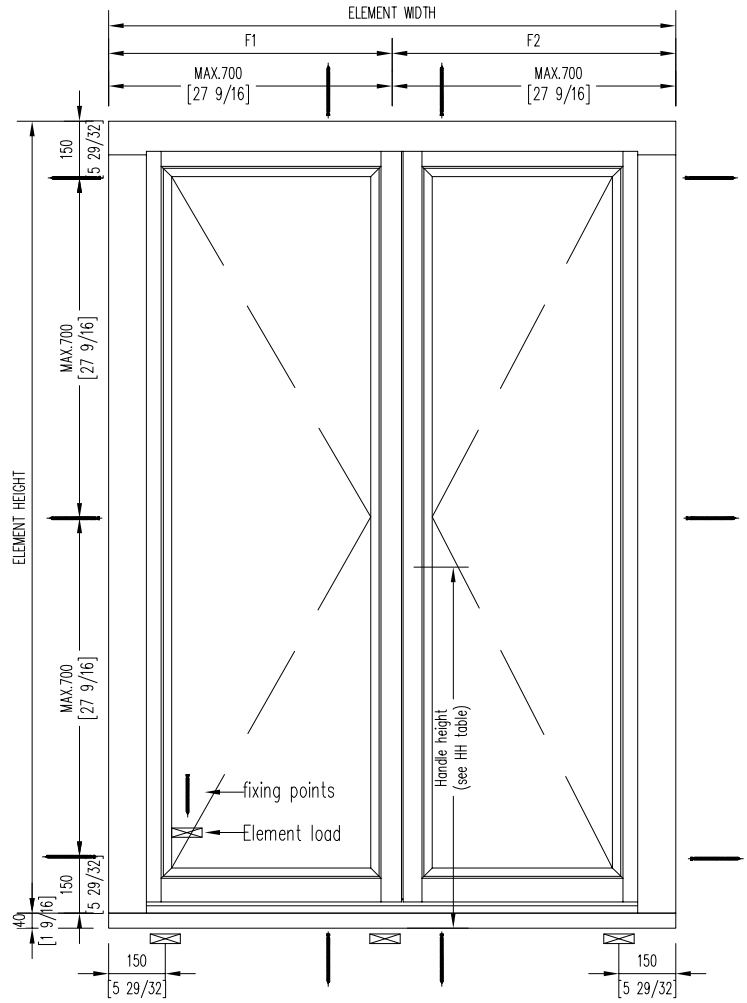
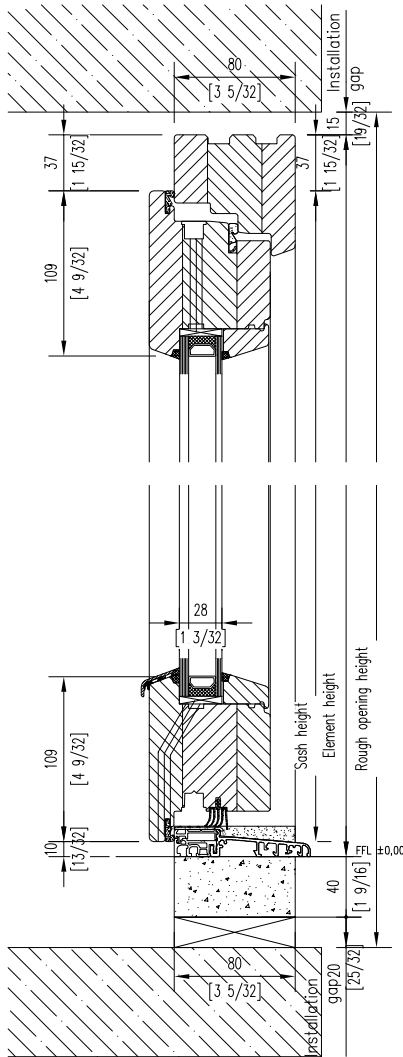


5.054.8

LOCKABLE PATIO DOORS with flat threshold
 double french outward opening swinging patio door with
 lever handle set for framed doors, handle inside and outside

EN802 Wood



System:	ENERGATE 802(+)
ENERGATE product type:	5.054
Security level:	Basic
Standard handle:	
Sash weight (max. kg)	150 kg
Minimum & maximum measurements:	Information at the drawing.
Attention: Minimum and maximum dimensions can not be combined For exact information see ENERGATE size application diagram (separate page) Maximal sizes always depend on weight area of the chosen glass. The glass weight is always noted on the product data sheet.	

