

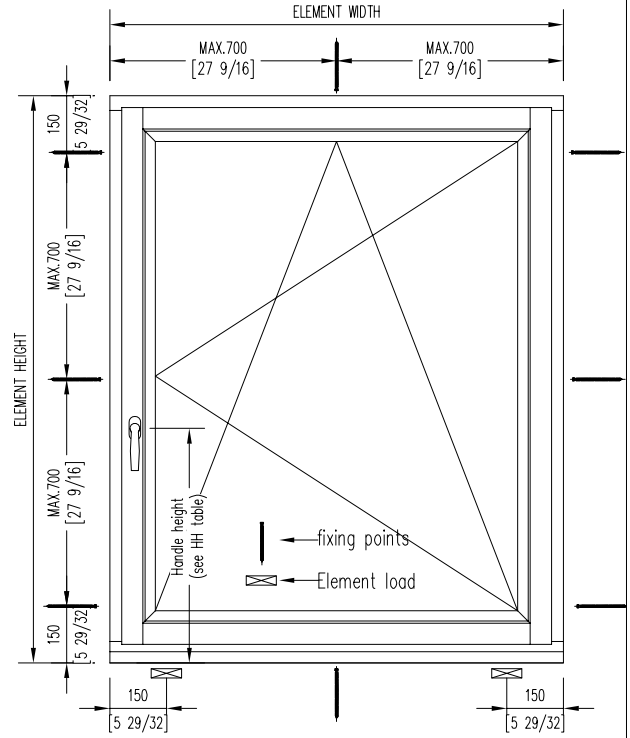
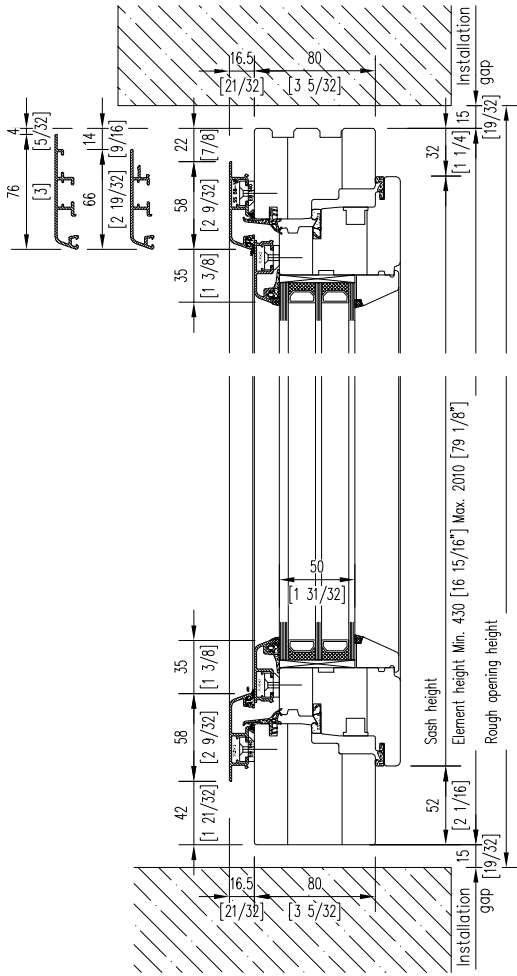
# 1.001

## WINDOWS

single opening window

EN963 Wood - Aluminium

# ENERGATE



| System:   | ENERGATE 963[+]             |
|---|-----------------------------|
| ENERGATE product type:  | 1.001                       |
| Security level:   | Basic                       |
| Standard handle:  | Atlanta F1 (silver)         |
| Shaft length 7x7x35mm (17/64" x 17/64" x 1 3/8")                            |                             |
| Screws M5 x 50mm (M5 x 1 31/32")  |                             |
| Sash weight (max. kg)   | 150 kg                      |
| Minimum & maximum measurements:   | Information at the drawing. |
| Attention: Minimum and maximum dimensions can not be combined               |                             |
| For exact information see ENERGATE size application diagram (separate page) |                             |
| Maximal sizes always depend on weight are of the chosen glass.              |                             |
| The glass weight is always noted on the product data sheet.                 |                             |

